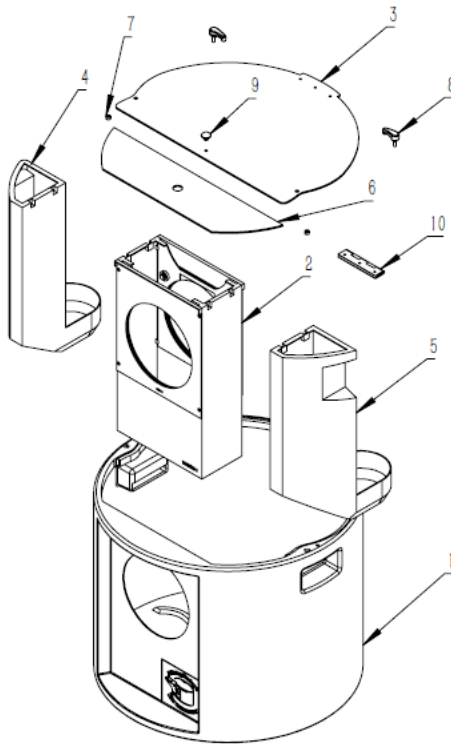




KITTYSALON® GROOMER

The Answer to Your Most Annoying Cat Hair Problems

Thank-you for purchasing our KittySalon Groomer, a cat self groomer that will remove the dead cat hair from your cat's fur like a magnet! (The KittySalon Groomer comes with two pre-installed Groomer Discs. If you purchased our bundle package you will also receive an additional three packets of Groomer Discs. Additional Groomer Discs can also be bought separately). **Please remove these two Groomer Discs until your cat gets use to going in and out of the KittySalon Groomer to get to their food and water.** Additional product and training instructions are noted below. We know you're going to find our new cat self groomer to be very effective in helping you to keep the cat hair out of your home. If you have any questions at all about our product, please send us an email at info@kittysalongroomer.com or give us a call at (864) 453-0050. Were here to answer any questions you might have about our product!



| Item NO. | Description | part Number | Mat`l Type | QTY |
|----------|---------------------|-------------|---------------|-----|
| 1 | Enclosure Body | 100352-1 | PE | 1 |
| 2 | Center Disc Box Asm | 100352-3A | PE | 1 |
| 3 | Lid | 100352-5 | PE | 1 |
| 4 | Water Dispenser | 100352-6 | PE | 1 |
| 5 | Food Dispenser | 100352-7 | PE | 1 |
| 6 | Dispenser Cover | 100352-8 | PE | 1 |
| 7 | M5 Nut | 100352-9 | Purchase Part | 2 |
| 8 | Lid Latch | 100352-10 | Purchase Part | 2 |
| 9 | Acrylic Lid Knob | 100352-11 | Purchase Part | 1 |
| 10 | Acrylic Lid Hinge | 100352-12 | Purchase Part | 1 |

KittySalon Groomer Instructional and Training Manual



Step 1 – Remove the Front Cover that covers the Food and Water Dispensers and lift the Lid up.



Step 2 – Make sure the knob on the Lid is tight and then remove the plastic film on the lid.



Step 3 – To remove the Food and Water Dispensers. Loosen the screw located on the inside of the Center Disc Box and then lift it straight up.



Step 4 – Lift the Food and Water Dispensers forward over the molded handles through the notch on the side of the Food and Water dispenser and then lift-up and remove.



Step 5 – To remove the front and back Groomer Cartridges, grab the finger groove on the Groomer Cartridge and pull it straight up and out of the Center Disc Box.



Step 6 – Pull the two halves of the Groomer Cartridges apart by separating it from the pins in each corner.

KittySalon Groomer Instructional and Training Manual



Step 7 – Rotate the two halves apart as shown in the photo.



Step 8 – Remove a Groomer Disc from the packet of discs included and insert it over the four pins in the four holes of the Groomer Disc.



Step 9 – Rotate the top half of the Groomer Cartridge over the Groomer Disc and snap it together over the four pins.



Step 10 – Insert the Groomer Cartridge back into the slot in the Center Disc Box and push it all the way down.



Step 11 – Make a fist and push your fist through the Groomer Disc a few times to loosen up the fibers a little. At this time just put in the front disc until your cat gets use to going into the KittySalon Groomer. (See the important note at the left). After about 2-3 days you can insert the back Groomer Disc. Please visit our website

⚠ Important: Don't insert the Groomer Discs for a few days until your cat gets familiar with going in and out of the KittySalon Groomer.

www.kittysalongroomer.com and click on the FAQ link to see more detailed instructions on how to train your cat to go into the KittySalon Groomer.

KittySalon Groomer Instructional and Training Manual



Step 12 – Close the Lid and rotate the two latches on the side to lock the Lid.



Step 13 – Reinstall the front Cover that covers the Groomer Discs and Food and Water Dispensers.

Step 14 – Now sit back and relax and let the KittySalon Groomer keep your cat's fur clean from all that cat hair they shed that ends up in your home!



“WITH GOD ALL THINGS ARE POSSIBLE”

Matthew 19:26